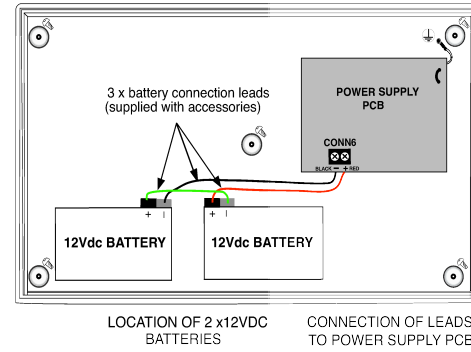


Connecting the Standby Batteries

CAUTION: There is a risk of explosion if the battery is replaced by an incorrect type. Always dispose of used batteries in accordance with the battery manufacturers' instructions.

Note: On a standard 'as-supplied' unit, PLK1 ('Battery Monitoring' link) is not fitted and a fault will occur on initial power-up if fully charged batteries are NOT connected.

For the emergency standby power supply, only use good quality, sealed VRLA batteries. Position and connect the 2x12Vdc, 7Ahr batteries, as shown in diagram (see right).



Connecting Circuits to the Main Control PCB

Terminate incoming and outgoing circuits at the Main Control PCB connectors (see Figure 2 overleaf).

TECHNICAL SPECIFICATION

POWER SUPPLY	
Mains supply:	230Vac, 50/60Hz @ 810mA max.
Internal power supply:	24Vdc nominal
Power rating:	I _{max. b} = 1.5A cont., 3A peak, battery peak current limited by 5A battery fuse I _{max. a} = 800mA
Battery type:	YUASA Type NP7-12 (LPCB approved systems); 2 x 12Vdc, 7Ahr VRLA type, connected in series
Battery charge current:	0.7A
Max. battery resistance:	500m ohm
Quiescent current drain on mains fail:	I _{min.} = 40mA approx.
Mains supply/battery charger monitored for failure:	YES
Batteries monitored for disconnection and failure:	YES
Earth fault monitoring:	YES
DETECTOR CIRCUITS	
Number of conventional detector circuits:	3
Line monitored for open and short circuit faults:	YES
Max. cable length per circuit:	250m
Zone quiescent detector current per circuit:	2mA max. @ 19-28V
End-of-line resistor value:	6K8 ohm ± 5%, 0.25W
SOUNDER CIRCUITS	
Number of conventional sounder circuits:	3 (two x 1st stage, one x 2nd stage)
Line monitored for open and short circuit faults:	YES
Sounder output rating:	19-28Vdc, fused @ 200mA per circuit
Max. sounder cable length per circuit:	50m
Max. number of polarised sounders per circuit:	10 @ 20mA each
End-of-line resistor value:	6K8 ohm ± 5%, 0.25W
MONITORED INPUTS	
Number of monitored inputs:	6 (Manual Release, Flow Switch, Low Pressure, Mode, Hold, Abort)
Thresholds:	8k to 2k ohms (normal); 1.8k to 200 ohms (active); 150 to 0 ohms (short-circuit)
End-of-line resistor value:	6K8 ± 5%, 0.25W
AUXILIARY OUTPUTS	
Number of auxiliary outputs:*	6 (Fire, Local Fire, Extract, 1st Stage, 2nd Stage, Fault)
Extract time:	Adjustable 1-900 seconds (1 second steps)
Relay contact rating:	30Vdc, 1A max. Note: DO NOT switch mains voltages using these outputs.
* Note: Five additional relay outputs (Reset, Mode, Discharged, Hold, Abort) are available on the EP212 Output Expansion Relay Board.	
REMOTE INPUTS	
Number of remote inputs:	4 (SIL, AL, FLT, RST)
Auxiliary output:	19-28V, 100mA electronic fuse
EXTINGUISHANT RELEASE OUTPUTS	
Extinguishant release output:	19-28Vdc, rated at 1A for 5 mins.
Extinguishant release time delay:	Adjustable 0-60 seconds (1 second steps)
Extinguishant release duration:	Adjustable 1-300 seconds (1 second steps)
Extinguishant release flooding time:	Adjustable 60-1740 seconds (1 second steps)
Extinguishant output end-of-line:	System Line Terminator (Part No. EP214)
FUSES Compliant with IEC (EN60127 Pt2)	
Mains supply fuse (F1): 1A HRC, 20mm ceramic; Battery fuse (F2): 5A F, 20mm glass; Auxiliary output fuse: 100mA electronic; Sounder circuit fuse: 200mA per circuit.	
DIMENSIONS & WEIGHT	
Physical size (W x H x D):	Back box = 439mm x 276mm x 70mm approx. (metal); Lid = 467mm x 293mm x 29mm approx. (plastic)
Weight:	4.2Kg (without batteries)
ACCESSORIES SUPPLIED WITH PANEL	
1 x Shortform Installation Instructions – Document No. DFU0002033 (this document); 1 x Installation and Maintenance Manual - Document No. DFU0002032; 1 x User Manual/Log Book - Document No. DFU0002031. 1 x Allen key (for unfastening/securing the panel lid); 1 x 1A HRC, 20mm ceramic fuse (spare mains supply fuse F1); 1 x 5A F, 20mm glass fuse (spare battery fuse F2); 1 x set of links for PLK1 & PLK2; 1 x set of battery connection leads (red lead, black lead, green jump lead).	

E&OE. No responsibility can be accepted by the manufacturer or distributors of this equipment for any misinterpretation of this instruction, or for the compliance of the system as a whole. The manufacturer's policy is one of continuous improvement and we reserve the right to make changes to product specifications at our discretion and without prior notice.

EP203 Automatic Extinguisher Control Panel



Shortform Installation Instructions



THIS EQUIPMENT MUST ONLY BE INSTALLED AND MAINTAINED BY A SUITABLY SKILLED AND TECHNICALLY COMPETENT PERSON.

This document summarises key information provided in the main Installation and Maintenance Manual (Document No. DFU0002032). If in doubt, read the full instructions.

The EP203 is a three zone automatic extinguisher control panel that is compliant with EN12094-1 and EN54-2. The panel incorporates a 3A, EN54-4 compliant switch mode PSU and a 128 x 64 pixel LCD that facilitates system programming.

INSTALLATION

Location

The panel must be sited indoors on a dry, flat surface in an area that is well ventilated. Ideally the panel indicators should be at eye level and the ambient light level should allow the status of any indicators to be clearly seen.

Fixing

Note: The panel's base PCBs should be removed prior to first fix installation.

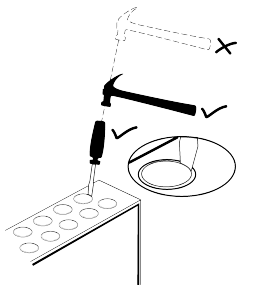
Using the five mounting holes provided, fix the base securely onto a wall. The mounting holes are suitable for use with No.8-10, or 4-5mm countersunk screws. Assess the condition and construction of the wall and use suitable screw fixings. Any dust or swarf created during the fixing process must be kept out of the enclosure and care must be taken not to damage any wiring or components.

Wiring and Cable Entry

All wiring should be installed in accordance with the current edition of the IEE Wiring Regs (BS7671), or the relevant national standards.

The requirement for the mains supply to the panel is fixed wiring, using 3-core cable (no less than 1mm² and no greater than 2.5mm²), or a suitable three conductor system, fed from an isolating switched spur, fused at 3A.

In order to maintain cable segregation, the incoming mains cable should be fed into the panel via the top right hand side knockouts (provided on the base unit). Knockouts should be removed with a sharp, light tap using a flat 6mm broadsided screwdriver as shown in diagram (see right). Always ensure that if a knockout is removed, the hole is filled with a good quality 20mm cable gland. Any unused knockouts must be securely blanked off.



WARNING: DO NOT ATTEMPT TO CONNECT THE MAINS SUPPLY TO THE POWER SUPPLY PCB UNTIL ALL PCBs ARE SECURELY INSTALLED IN THE ENCLOSURE.

Connecting Mains Supply to the Power Supply PCB

Terminate the mains cable at the Power Supply PCB connector CONN1 (see Figure 1 below).

Figure 1 - Power Supply PCB Layout and Connection Details

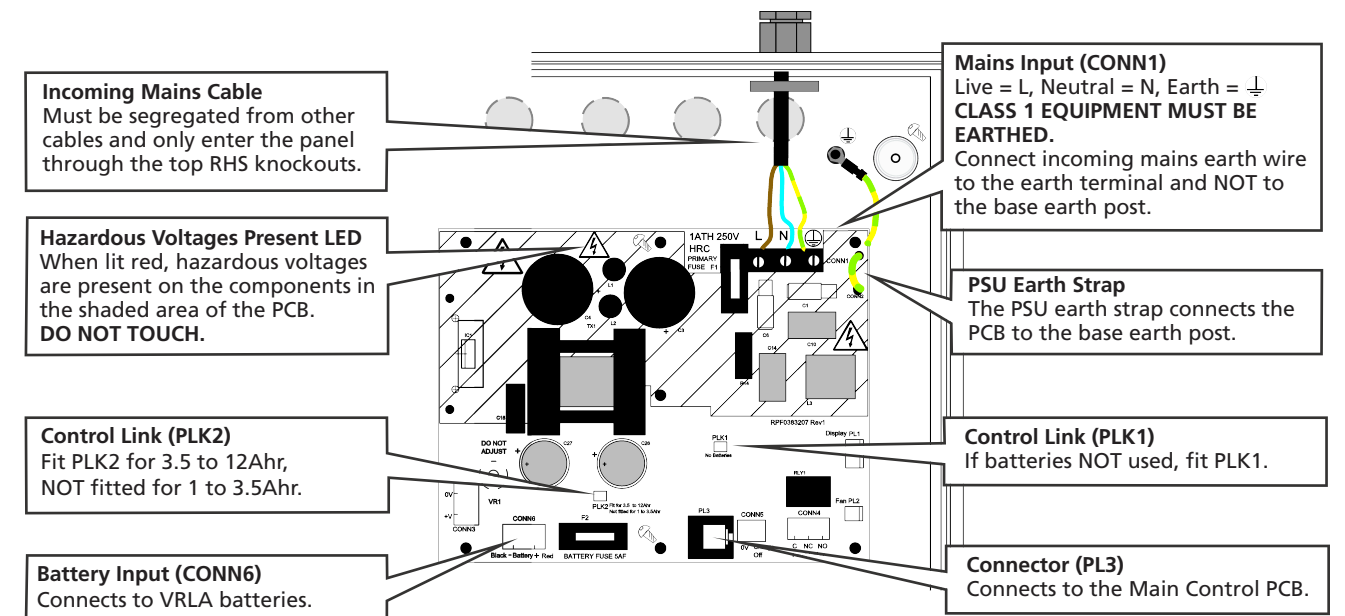


Figure 2 - Main Control PCB Connection Details

